

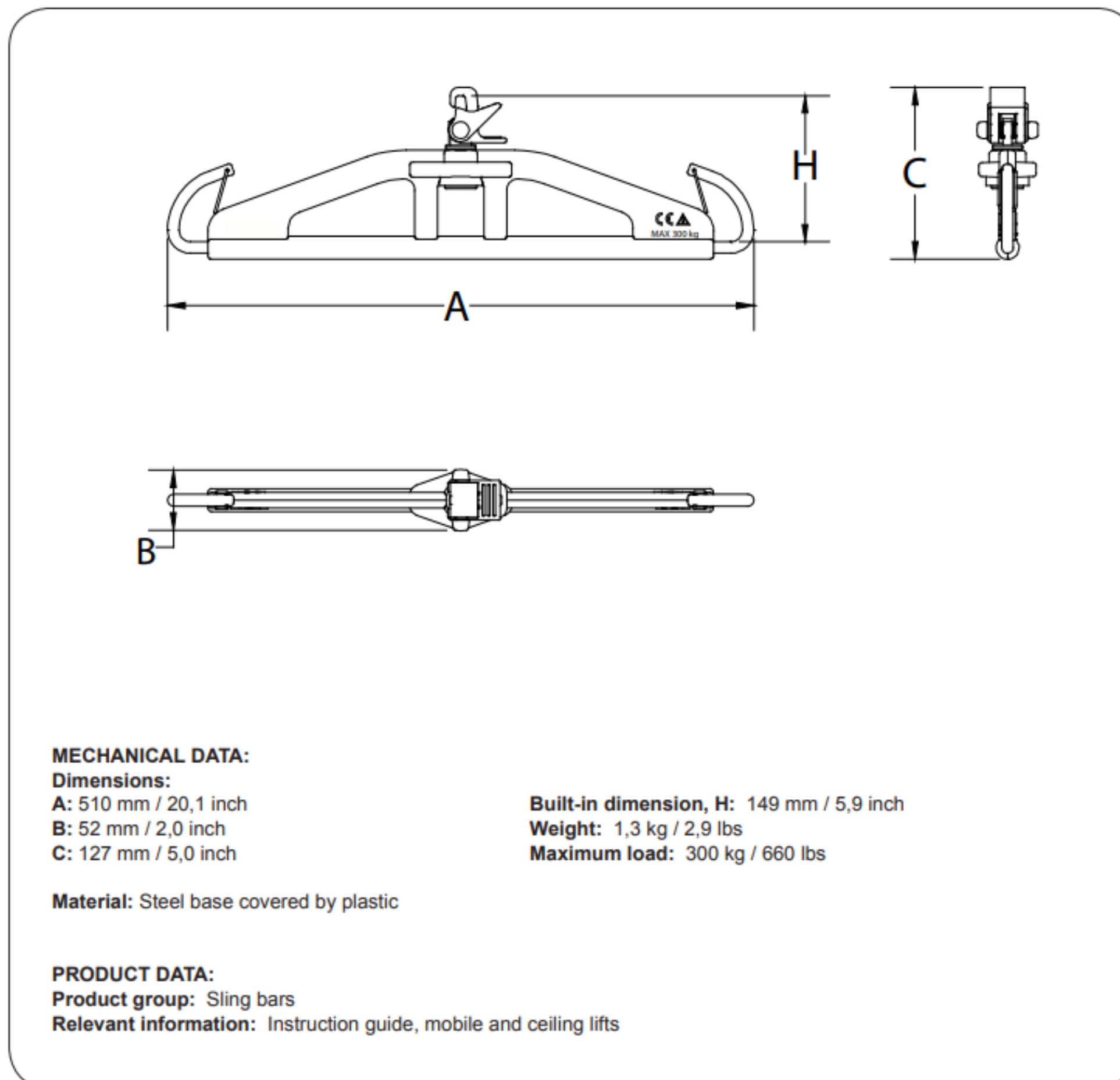


Slingbar Standard 450 with quick release Technical Specification Sheet (TSS)

Prod. no: 3156016

3EN600161-01

2007-01-02



Products from Liko comply with Medical Device Directory MDD 93/42/EEC. Repairs and maintenance may only be carried out by Liko authorized personnel using original Liko spare parts.